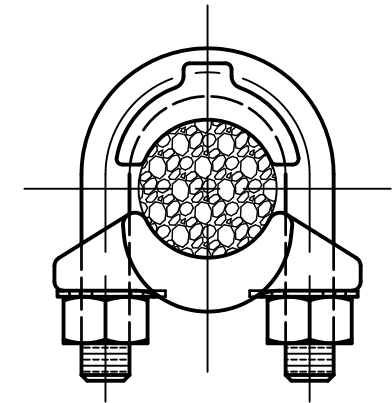
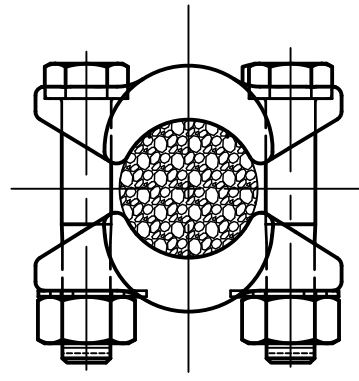


TYPE: ATCC

TYPE: ATCC - U



NOTES :

1. MATERIAL : CONNECTOR ALUMINUM ALLOY #356-T6
HARDWARE - ALUMINUM ALLOY #2024-T4 BOLTS, WASHERS
#7075T6, NUTS #6061T6 ALUMINUM, LUBRICATED.
2. INSTALLATION: ONE WRENCH REQUIRED.
3. * CABLE RANGE IN INCHES.
4. ** 6 BOLTS MAIN & TAP.
5. TO OBTAIN COPPER LINER IN MAIN ADD SUFFIX "CA" TO CATALOG NO.
EX: ATCC-66-CA
6. TO OBTAIN COPPER LINER IN TAP ADD SUFFIX "AC" TO CATALOG NO.
EX: ATCC-66-AC

70168	06/19/2017	RK	HG	HPS®	HUBBELL® POWER SYSTEMS POWER SYSTEMS, INC.			
EC #	DATE	CHG BY	RESP ENG					
DESC OF DWG: REDRAWN IN AUTOCAD				CONFIDENTIAL: THIS DRAWING AND ITS CONTENTS ARE CONFIDENTIAL AND THE EXCLUSIVE PROPERTY OF HUBBELL POWER SYSTEMS. NO PUBLICATION, DISTRIBUTION OR COPIES MAY BE MADE WITHOUT THE WRITTEN CONSENT OF HUBBELL POWER SYSTEMS. HUBBELL POWER SYSTEMS UNPUBLISHED ALL RIGHTS RESERVED UNDER THE COPYRIGHT LAWS	TITLE ALUMINUM TEE CONNECTOR ALUMINUM OR A.C.S.R. CABLE WITH MACH BOLTS OR U-BOLTS			
REASON (S) FOR CHANGE: DISPOSITION OF MAT'L:					SIZE B	DWG NO. C-1279	CAT / PART / ASSY NO. ATCC	REV 22
					DO NOT SCALE THIS DRAWING	DRN BY NDS	DATE 10/10/56	SHEET 1 OF 3

4

3

2


1

CONDUCTOR SIZE				CATALOG NUMBER		DIMENSIONS IN INCHES			
CABLE MAIN		CABLE TAP				A	B	C	J
ALUMINUM MIN - MAX	ACSR MIN - MAX	ALUMINUM MIN - MAX	ACSR MIN - MAX	WITH MACH. BOLTS	WITH U-BOLTS				
#4 - 250	#4 - 4/0	#4 - 250	#4 - 4/0	ATCC-66	ATCC-66-U	3	5 9/16	3	1/2
#4 - 250	#4 - 4/0	250 - 350	#4/0 - 336	ATCC-67	ATCC-67-U	3	5 9/16	3 5/16	1/2
#4 - 250	#4 - 4/0	350 - 600	336.4 - 477	ATCC-69	ATCC-69-U	3	5 13/16	3 1/4	1/2
#4 - 250	#4 - 4/0	600 - 900	556.5 - 795	ATCC-611	ATCC-611-U	3	6 1/16	3 1/2	1/2
#4 - 250	#4 - 4/0	600 - 900	556.5 - 795	ATCC-611-VE	ATCC-611-VE-U	4	8 1/4	5	5/8
250 - 400	4/0 - 336.4	#4 - 250	#4 - 4/0	ATCC-76	ATCC-76-U	3	5 9/16	3	1/2
250 - 400	4/0 - 336.4	250 - 400	4/0 - 336.4	ATCC-77	ATCC-77-U	3	5 9/16	3	1/2
250 - 350	4/0 - 336	350 - 600	336 - 477	ATCC-79	ATCC-79-U	3	6	3 1/4	1/2
250 - 350	4/0 - 336	600 - 900	556.5 - 795	ATCC-711	ATCC-711-U	3	6 1/16	3 1/2	1/2
250 - 400	4/0 - 336	1250 - 1600	1113 - 1272	ATCC-715	ATCC-715-U	3	6 13/16	4 1/4	1/2
350 - 600	336.4 - 477	#4 - 250	#4 - 4/0	ATCC-96	ATCC-96-U	3 1/4	5 13/16	3	1/2
350 - 600	336.4 - 477	250 - 400	4/0 - 336.4	ATCC-97	ATCC-97-U	3 1/4	5 13/16	3	1/2
350 - 600	336.4 - 477	350 - 600	336.4 - 477	ATCC-99	ATCC-99-U	3 1/4	6 1/16	3 1/4	1/2
350 - 600	336 - 477	600 - 900	556.5 - 795	ATCC-911	ATCC-911-U	3 1/4	6 5/16	3 1/2	1/2
350 - 600	336 - 477	900 - 1250	715.5 - 1113	ATCC-913	ATCC-913-U	3 1/4	6 9/16	3 3/4	1/2
600 - 900	556.5 - 795	#4 - 250	#4 - 4/0	ATCC-116	ATCC-116-U	3 1/2	6 1/16	3	1/2
600 - 900	556.5 - 795	250 - 400	4/0 - 336.4	ATCC-117	ATCC-117-U	3 1/2	6 1/16	3	1/2
600 - 900	556.5 - 795	350 - 600	336.4 - 477	ATCC-119	ATCC-119-U	3 1/2	6 5/16	3 1/4	1/2
600 - 900	556.5 - 795	350 - 600	336.4 - 477	ATCC-119-VE	ATCC-119-VE-U	5	8 1/8	4 1/2	5/8
600 - 900	556.5 - 795	600 - 900	556.5 - 795	ATCC-1111	ATCC-1111-U	3 1/2	6 9/16	3 1/2	1/2
600 - 900	556.5 - 795	600 - 900	556.5 - 795	ATCC-1111-VE	ATCC-1111-VE-U	5	8 5/8	5	5/8
600 - 900	556.5 - 795	900 - 1250	715.5 - 1113	ATCC-1113	ATCC-1113-U	3 1/2	6 13/16	3 1/4	1/2
600 - 900	556.5 - 795	1250 - 1600	1113 - 1272	ATCC-1115	ATCC-1115-U	3 1/2	7 5/16	4 1/4	1/2
900 - 1250	715.5 - 1113	#4 - 250	#4 - 4/0	ATCC-136	ATCC-136-U	3 3/4	6 5/16	3	1/2
900 - 1250	715.5 - 1113	250 - 400	4/0 - 336.4	ATCC-137	ATCC-137-U	3 3/4	6 5/16	3	1/2
900 - 1250	715.5 - 1113	350 - 600	336.4 - 477	ATCC-139	ATCC-139-U	3 3/4	6 9/16	3 1/4	1/2
900 - 1250	715.5 - 1113	600 - 900	556.5 - 795	ATCC-1311	ATCC-1311-U	3 3/4	6 13/16	3 1/2	1/2
900 - 1250	715.5 - 1113	900 - 1250	715.5 - 1113	ATCC-1313	ATCC-1313-U	3 3/4	7 1/16	3 3/4	1/2
900 - 1250	715.5 - 1113	2000 - 2500	1.632 - 1.824*	ATCC-1318		3 3/4	8 1/16	4 3/4	1/2

70168	06/19/2017	RK	HG
EC #	DATE	CHG BY	RESP ENG
DESC OF DWG: REDRAW IN AUTOCAD			
REASON (S) FOR CHANGE: DISPOSITION OF MAT'L:			

HPS[®]

CONFIDENTIAL: THIS DRAWING AND ITS CONTENTS ARE CONFIDENTIAL AND THE EXCLUSIVE PROPERTY OF HUBBELL POWER SYSTEMS. NO PUBLICATION, DISTRIBUTION OR COPIES MAY BE MADE WITHOUT THE WRITTEN CONSENT OF HUBBELL POWER SYSTEMS. HUBBELL POWER SYSTEMS UNPUBLISHED ALL RIGHTS RESERVED UNDER THE COPYRIGHT LAWS

 **HUBBELL**[®] POWER SYSTEMS

TITLE: **ALUMINUM TEE CONNECTOR**
ALUMINUM OR A.C.S.R. CABLE WITH MACH BOLTS OR U-BOLTS

SIZE B	DWG NO. C-1279	CAT / PART / ASSY NO. ATCC	REV 22
DO NOT SCALE THIS DRAWING		DRN BY NDS	DATE 10/10/56 SHEET 2 OF 3

4

3

2


1

CONDUCTOR SIZE				CATALOG NUMBER		DIMENSIONS IN INCHES			
CABLE MAIN		CABLE TAP		WITH MACH. BOLTS	WITH U-BOLTS	A	B	C	J
ALUMINUM MIN - MAX	ACSR MIN - MAX	ALUMINUM MIN - MAX	ACSR MIN - MAX						
900 - 1250	715.5 - 1113	2500 - 3000		ATCC-1321	ATCC-1321-U	3 3/4	8 5/16	5	1/2 & 5/8
900 - 1250	715.5 - 1113	*2.0	*2.2	ATCC-1322	ATCC-1322-U	3 3/4	8 5/16	5	1/2 & 5/8
1250 - 1600	1113 - 1272	#4 - 250	#4 - 4/0	ATCC-156	ATCC-156-U	4 1/4	6 1/2	3	1/2
1250 - 1600	1113 - 1272	250 - 350	4/0 - 336.4	ATCC-157	ATCC-157-U	4 1/4	6 1/2	3	1/2
1250 - 1600	1113 - 1272	350 - 600	336.4 - 477	ATCC-159	ATCC-159-U	4 1/4	6 3/4	3 1/4	1/2
1250 - 1600	1113 - 1272	600 - 900	556.5 - 795	ATCC-1511	ATCC-1511-U	4 1/4	7	3 1/2	1/2
1250 - 1600	1113 - 1272	900 - 1250	715.5 - 1113	ATCC-1513	ATCC-1513-U	4 1/4	7 1/4	3 3/4	1/2
1250 - 1600	1113 - 1272	1250 - 1600	1113 - 1272	ATCC-1515	ATC-1515-U	4 1/4	8 1/16	4 1/4	5/8
1500 - 2000	1272 - 1590	#4 - 250	#4 - 4/0	ATCC-166	ATCC-166-U	4 1/2	6 7/16	3	1/2 AEP # 513
1500 - 2000	1272 - 1590	250 - 400	4/0 - 336.4	ATCC-167	ATCC-167-U	4 1/2	6 11/16	3	1/2
1500 - 2000	1272 - 1590	350 - 600	336.4 - 477	ATCC-169	ATCC-169-U	4 1/2	6 15/16	3 1/4	1/2
1500 - 2000	1272 - 1590	600 - 900	556.5 - 795	ATCC-1611	ATCC-1611-U	4 1/2	7 3/16	3 1/2	1/2
1500 - 2000	1272 - 1590	900 - 1250	715.5 - 1113	ATCC-1613	ATCC-1613-U	4 1/2	7 7/16	3 3/4	1/2
1500 - 2000	1272 - 1590	1250 - 1600	1113 - 1272	ATCC-1615	ATCC-1615-U	4 1/2	8 5/16	4 1/4	5/8
1500 - 2000	1272 - 1590	1500 - 2000	1272 - 1590	ATCC-1616	ATCC-1616-U	4 1/2	8 9/16	4 1/2	5/8
1600 - 2000	1272 - 1780	2000 - 2500	1780 - 2156	ATCC-1618	AEP BM 5318 ATCC-1618-U	4 1/2	8 13/16	4 3/4	5/8
2000 - 2500	1.632 - 1.824	#4 - 250	#4 - 4/0	ATCC-186	ATCC-186-U	4 3/4	6 7/16	3	1/2
2000 - 2500	1.632 - 1.824	250 - 400	#4/0 - 336.4	ATCC-187	ATCC-187-U	4 3/4	6 3/4	3	1/2
2000 - 2500	1.632 - 1.824*	350 - 600	336.4 - 477	ATCC-189	ATCC-189-U	4 3/4	7	3 1/4	1/2
2000 - 2500	1.632 - 1.824*	600 - 900	556.5 - 795	ATCC-1811	ATCC-1811-U	4 3/4	7 7/16	3 1/2	1/2
2000 - 2500	1.632 - 1.824*	600 - 900	556.5 - 795	ATCC-1811	ATCC-1811-U	4 3/4	9 3/16	5	5/8
2000 - 2500	1.632 - 1.824*	900 - 1250	715.5 - 1113	ATCC-1813	ATCC-1813-U	4 3/4	7 15/16	3 3/4	5/8 & 1/2
2000 - 2500		1250 - 1600	1113 - 1272	ATCC-1815	ATCC-1815-U	4 3/4	8 7/16	4 1/4	5/8
2000 - 2500	1.632 - 1.824*	1600 - 2000	1272 - 1780	ATCC-1816	AEP BM# 5026 ATCC-1816-U	4 3/4	8 11/16	4 1/2	5/8
2000 - 2500	1.632 - 1.824*	2000 - 2500	1.632 - 1.824*	ATCC-1818	ATCC-1818-U	4 3/4	8 15/16	4 3/4	5/8 AEP # 537
2000 - 2500	1.632 - 1.824*	2000 - 2500	1.632 - 1.824*	** ATCC-1818-ALA		6 3/4	10 15/16	6 3/4	5/8
2500 - 3000	1.824 - 1.998	900 - 1250	715.5 - 1113	ATCC-2113	ATCC-2113-U	5	8 3/8	3 3/4	5/8 & 1/2
2500 - 3000	1.824 - 1.998	2500 - 3000	1.824 - 1.998	ATCC-2121	ATCC-2121-U	5	9 5/8	5	5/8

70168	06/19/2017	RK	HG
EC #	DATE	CHG BY	RESP ENG
DESC OF DWG: REDRAW IN AUTOCAD			
REASON (S) FOR CHANGE: DISPOSITION OF MAT'L:			

HPS[®]

CONFIDENTIAL: THIS DRAWING AND ITS CONTENTS ARE CONFIDENTIAL AND THE EXCLUSIVE PROPERTY OF HUBBELL POWER SYSTEMS. NO PUBLICATION, DISTRIBUTION OR COPIES MAY BE MADE WITHOUT THE WRITTEN CONSENT OF HUBBELL POWER SYSTEMS. HUBBELL POWER SYSTEMS UNPUBLISHED ALL RIGHTS RESERVED UNDER THE COPYRIGHT LAWS

 HUBBELL[®] POWER SYSTEMS <small>POWER SYSTEMS, INC.</small>			
TITLE ALUMINUM TEE CONNECTOR ALUMINUM OR A.C.S.R. CABLE WITH MACH BOLTS OR U-BOLTS			
SIZE B	DWG NO. C-1279	CAT / PART / ASSY NO. ATCC	REV 22
DO NOT SCALE THIS DRAWING		DRN BY NDS	DATE 10/10/56 SHEET 3 OF 3